

## LIBRA Stabilised 3 Axis Remote Head

Lightweight and compact.

Stabilisation individually selectable for each axis.

Precise handwheel response with electronic and mechanical damping.

Programmable soft stops with adjustable damping.

Motion repeatability - record/playback camera moves - sync to frame possible

External motion control system compatible - e.g. 'Kuper'

Optional high resolution long range RF link for 'lag-free' wireless applications up to 1 km.

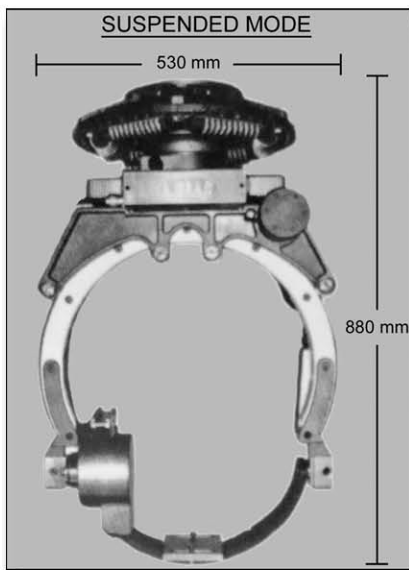
Preston digital F I +Z lens control with wireless zoom handle included with all kits.

Preston lens control also transmittable via Libra long range RF link up to 1 km.

LCD operator's monitor integrated into controller unit.

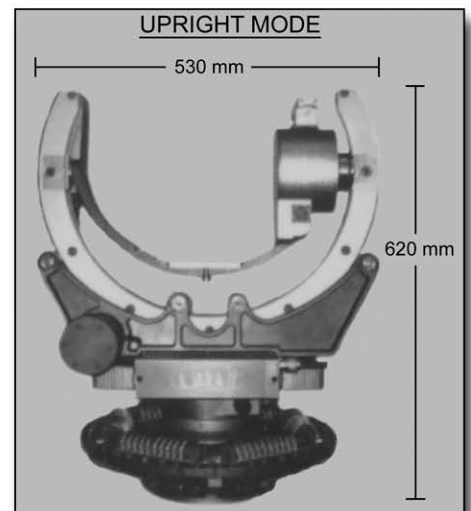
Battery (High output Ni-Mh 30v) and mains power packs included with all kits.

### SPECIFICATIONS



Axis Travel: Pan 350°  
Tilt 360°  
Roll 80°

Axis Speeds: Pan 300°/sec  
Tilt 300°/sec  
Roll 100°/sec



Weight: 30kgs (standard set up without camera)  
Lightweight custom kits vary - please call for details

### OPTIONAL EXTRAS

Long range RF wireless control system (can also transmit Preston lens control to/from camera)

Helicopter mounting system - A-Star/Squirrel

Panbar controller

RF Video picture transmitter system

Spray deflector - spinning disc - AR coated optical flat front element

Splash bag for camera - integrates with spray deflector

*Please contact us to discuss availability/suitability of these items when considering their use.*